

瀚瑞森 HUV™

重型橡胶悬架



Lightweight Design



Premium Ride and Performance



Outstanding Durability

瀚瑞森 HUV™ is a heavy-duty rubber suspension designed to balance outstanding durability with significant weight savings for increased payload compared to competitive suspensions. Through its unique design, the system offers premium ride quality in both empty and loaded conditions, with increasing stability as the load increases.



Greater than
430 kg
weight savings
compared to 6-rod
suspensions

For additional information, call
+86 21 5876 2512 or visit our web site
at www.hendrickson.com.cn

H HENDRICKSON
For The Road Ahead™

PROGRESSIVE RATE SPRINGS

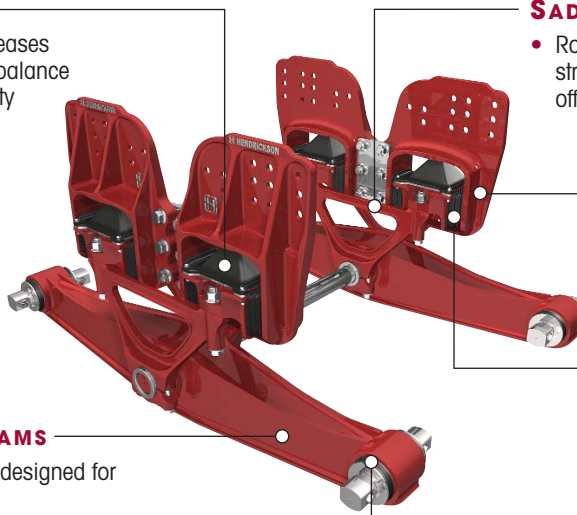
- Stiffness of progressive rate spring increases as load increases, providing a unique balance of empty ride quality and loaded stability



- Provide long service life and easy replacement for reduced down time

HENDRICKSON EQUALIZING BEAMS

- Formed and robotically-welded beams designed for optimal clearance and weight
- Offer up to 445 mm of diagonal articulation for outstanding mobility and traction
- Central pivot point helps smooth uneven road conditions and distribute load equally between axles for improved traction, stability and handling



SADDLE

- Robust truss-like saddle design provides structural strength and durability, while offering a considerable weight savings

FRAME HANGERS

- Optimized design to balance durability and weight savings

RUBBER SHEAR SPRINGS

- Primary springs in the unloaded vehicle condition provide superb ride quality



PREMIUM RUBBER BUSHINGS

- Require no lubrication
- Rugged bar pin axle connection helps extend service life and reduce re-bush time

瀚瑞森 HUV 270 t Specifications¹

Capacity:	27 metric tonnes maximum static loading
Applications:	Tractors (excluding dump trailers) and rigid trucks (6×4 and 8×4), including mixers (mixer capacity up to 10m ³), tankers (tank capacity up to 20m ³), enclosed cargo (up to 18 t payload) and city dumpers
Suspension Weight²:	460 kg
Axle Configuration:	Tandem in 6×4 and 8×4 chassis
GCW Approval:	70 metric tonnes maximum
Axle Travel³:	200 mm
Ground Clearance⁴:	200 mm (using a 520 mm SLR Tire)
Diagonal Articulation⁵:	445 mm
Ride Height:	252 mm
Engine Torque Restrictions:	None
Axle Spacing:	1,350 mm

1. All specifications are based on a 252 mm ride height. For other ride height specification information, contact Hendrickson.
2. Suspension weight does not include V-rods, V-rod axle brackets, V-rod frame brackets or beam attachment brackets. Published weight is for 瀚瑞森 HUV suspension using 252 mm ride height. Other configurations may change weight.
3. Axle travel may be limited by vehicle manufacturer; axle stop settings may restrict suspension's articulation. Varying ride heights and configurations may restrict travel. For different ride height options, please contact Hendrickson, your vehicle manufacturer or authorized vehicle dealer for further information.
4. Ground clearance is for the standard 瀚瑞森 HUV suspension using a 252 mm ride height. Other configurations may change ground clearance. For different options, please contact Hendrickson, your vehicle manufacturer or authorized vehicle dealer for further information.
5. Suspension articulation may exceed vehicle's capability and may be limited by vehicle manufacturer; vehicle manufacturer installed axle stops may restrict suspension's articulation.

All Hendrickson 瀚瑞森 HUV 270 t suspension applications must comply with applicable Hendrickson specifications and must also be approved by the respective vehicle manufacturer with the vehicle in its original, as-built configuration. Contact Hendrickson and the respective vehicle manufacturer with any questions regarding specific applications.

For additional details regarding specifications; applications; capacities; and operating, service and maintenance instructions, refer to applicable Hendrickson technical literature (available at www.hendrickson.com.cn) or contact Hendrickson at +86 21 5876 2512.

Actual product performance may vary depending upon vehicle configuration, operation, service and other factors.



HENDRICKSON
Genuine Parts

Hendrickson Genuine Parts are the same quality components installed in Hendrickson original equipment suspensions — consisting of the same design, construction, performance and durability. There's only one way to maintain and protect your suspension's original performance. Ask for the name that is synonymous with the finest manufactured suspensions in the world — Hendrickson.

THIS PRODUCT IS COVERED BY ONE OR MORE PATENTS IN CHINA AND OTHER COUNTRIES

www.hendrickson.com.cn



Hendrickson China
Suite 1506, OneLujiazui
No. 68, Yin Cheng Road (M), Pudong
Shanghai, 200120, China

+86 21 5876 2512
+86 21 5876 5710
Fax +86 21 5876 1577