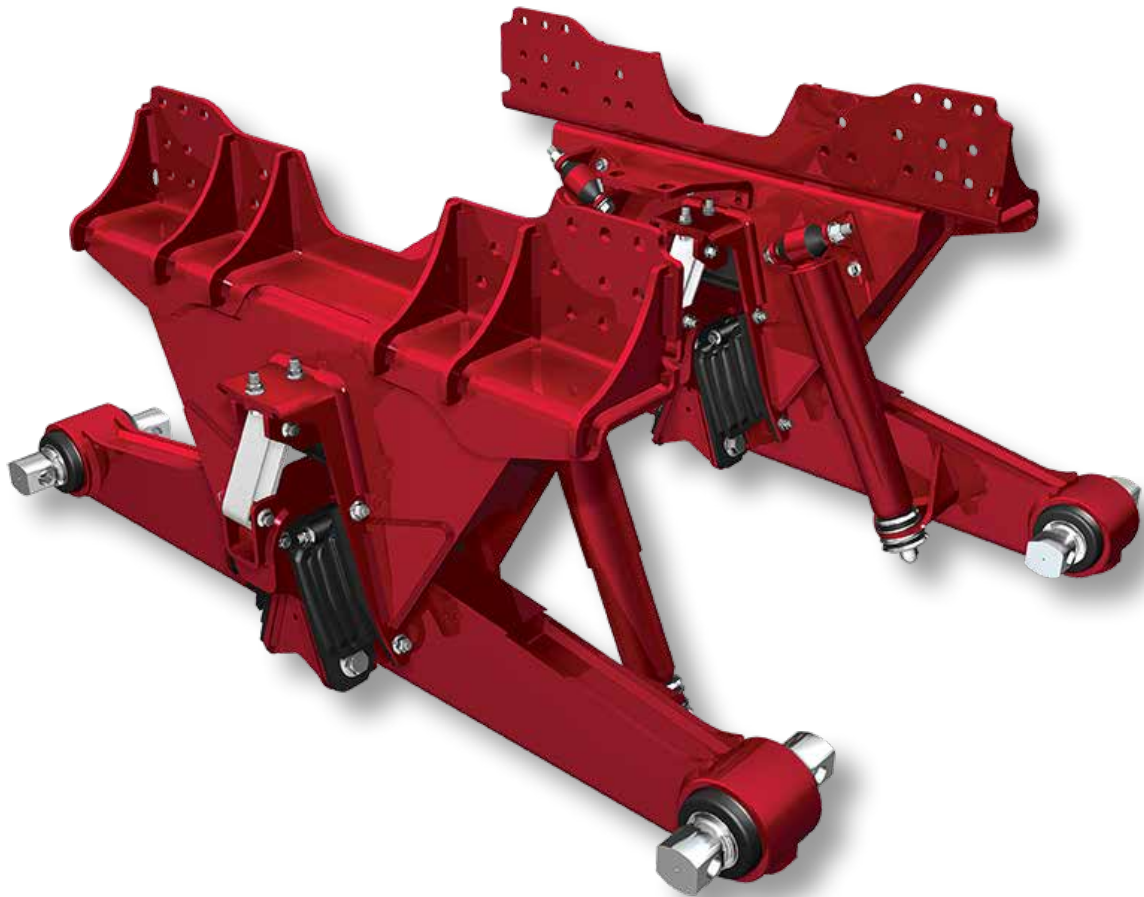


- MAAximize payload
- MAAximize driver comfort
- MAAximize durability



- **New 26t On-Highway Rubber Suspension**
- **Light Weight**
- **Redesigned Structures For**
 - Ease of global manufacturing
 - Metric for ease of localization
- **Improved Vehicle Assembly**
 - Eliminating 20 bolted connections
- **Improved Ride**
 - Suspension rate similar to 6-rod suspension with parabolic springs

To learn more about HAULMAAX
call Hendrickson or visit
www.hendrickson-intl.com.cn.

Suspension Architecture

Fabricated Frame Hanger and Saddle

- Provides flexibility to accommodate different ride heights and hole patterns

Shock Absorber

- Standard shock absorber

Progressive Rate Auxiliary Spring

- Provides additional stiffness under loaded condition to improve stability

End Bushing Assembly

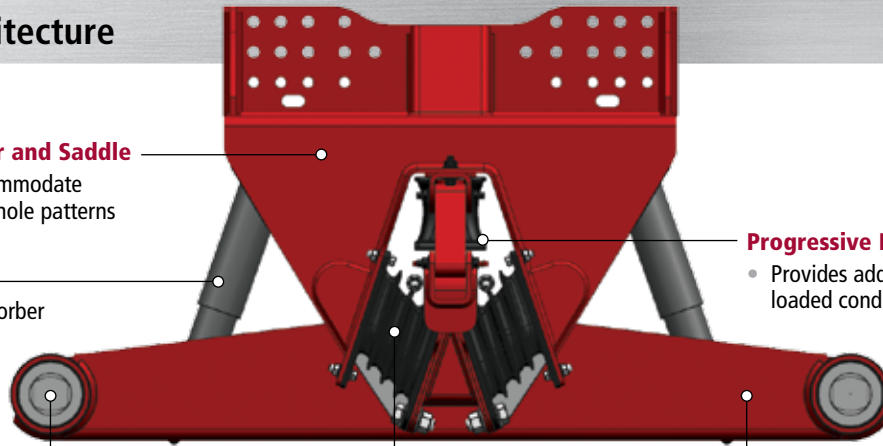
- Same as HUV

Bolster Spring

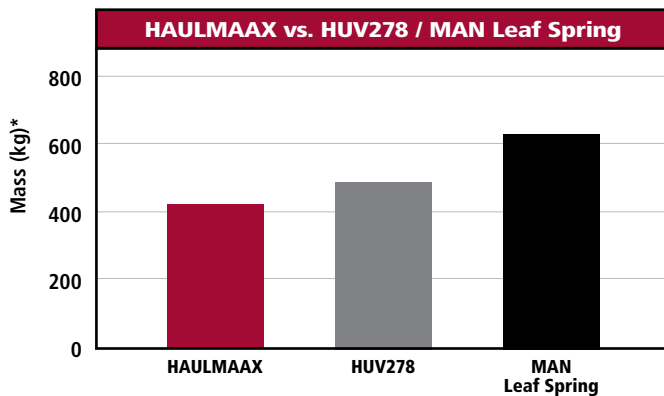
- Provides primary ride in unladen condition

Walking Beam Assembly

- Equalizes load between tandem axles on unequal terrain



Suspension Mass

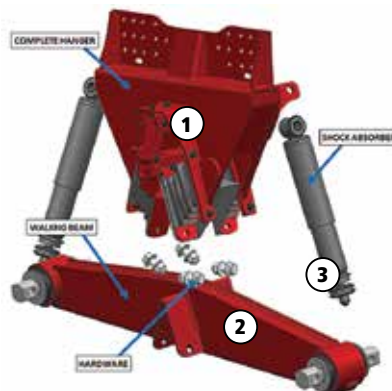


* Mass does not include v-rods, v-rod attachment brackets, shocks, axle brackets or attachment hardware.



Suspension Installation

1. Install complete hanger to the frame rail
2. Install walking beam to the bottom of the hanger via hardware provided
3. Install shock absorbers to the hanger and walking beam via hardware provided
4. Repeat procedures on the other side of the vehicle



All applications must comply with applicable Hendrickson specifications and be approved by the respective vehicle manufacturer with the vehicle in its original as-built configuration. Contact Hendrickson and the respective vehicle manufacturer for approval of specific applications.

For additional details regarding specifications, applications, capacities, and operating, service and maintenance instructions, refer to applicable Hendrickson technical literature (available at www.hendrickson-intl.com) or contact Hendrickson.

Actual product performance may vary depending upon vehicle configuration, operation, service and other factors.

Call Hendrickson or visit www.hendrickson.com.cn for additional information.



www.hendrickson-intl.com.cn

Hendrickson China (offices)

Suite 2402B Bao'an Building, No. 800 Dongfang Road, Pudong New Dist, Shanghai, 200122
+86 21 5876 5710
Fax +86 21 5876 1577

Hendrickson China (manufacturing)

No. 1668 North Section of Chunbo Road, East New Dist of Jinan High-Tech Industrial Development Zone, Jinan City, Shandong Province, China, 250104
+86 531 8880 9055
Fax +86 531 8880 9059