

# PARTS LIST

## HAULMAAX® Rear Suspension for CNHTC (China National Heavy Duty Truck Group Company)

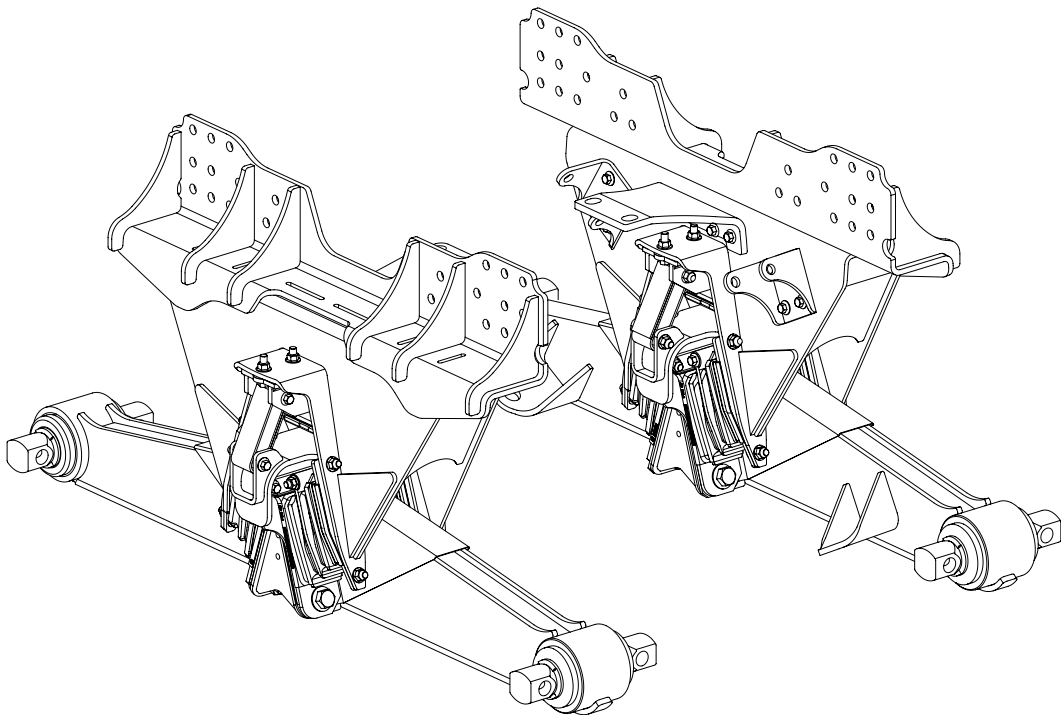
LIT NO: SP-302

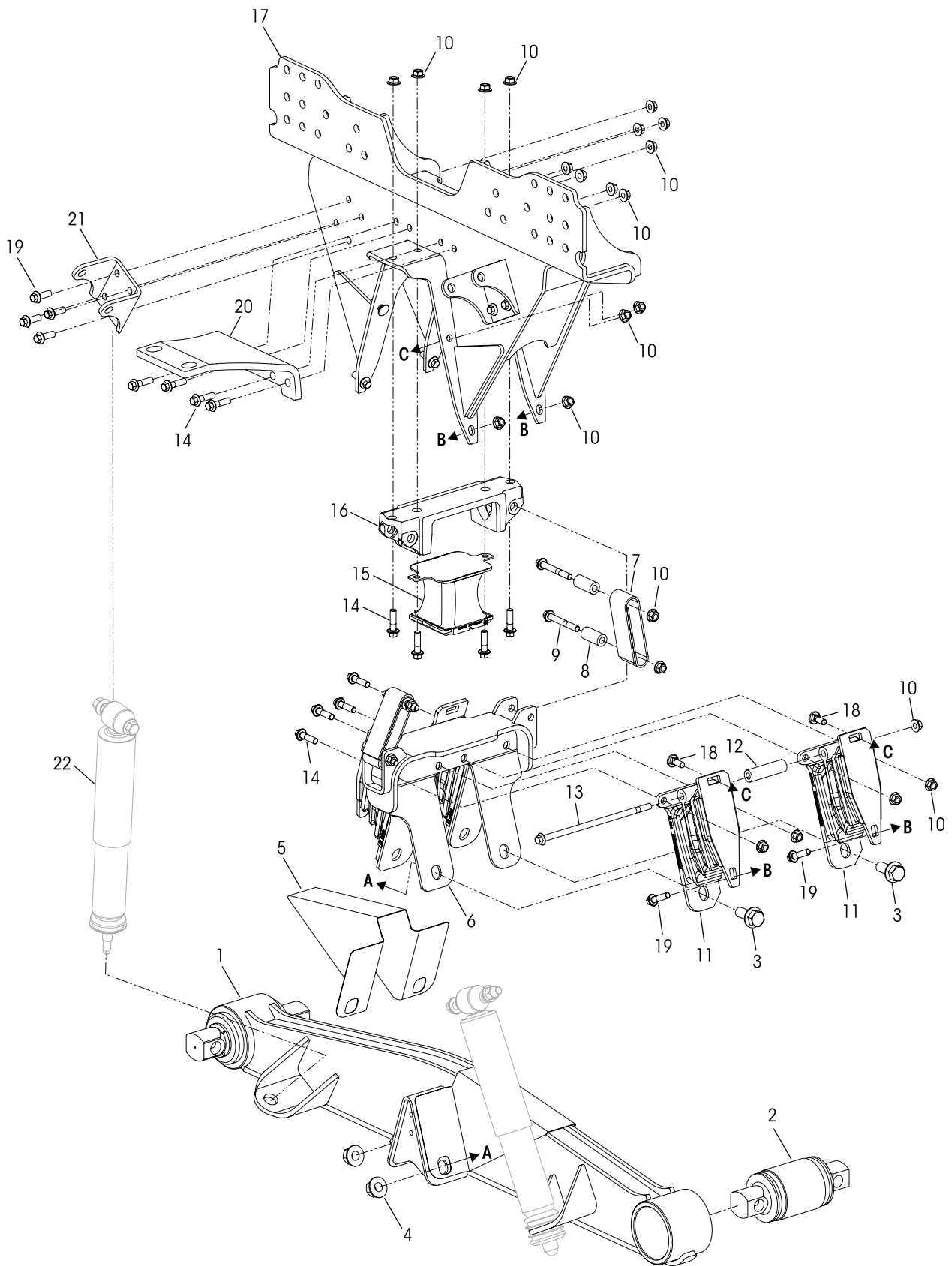
DATE: September 2017

REVISION: B

### CONTENTS

DESCRIPTION	PAGE
■ Parts Lists .....	2-3
■ Service Kits .....	4
■ Special Tools .....	5







KEY NO.	PART NO.	DESCRIPTION	VEHICLE QUANTITY	KEY NO.	PART NO.	DESCRIPTION	VEHICLE QUANTITY
	060961-805	<b>Equalizing Beam Service Kit, One Beam</b> Includes Key Nos. 1-2				<b>Tie-Bar Bolster Spring Service Kit,</b> Includes Key Nos. 3-5, 10-14, 18-19	
1		*Equalizing Beam Assembly, 1371.6 mm	2		060961-808	Two Bolsters	
		<b>Bar Pin End Bushing Service Kit,</b> Includes Key Nos. 2-4			060961-810	Four Bolsters	
	060961-807	One Equalizing Beam		11		*Tie-Bar Bolster Spring	8
	060961-819	One Wheel End		12	065742-001	Tie-Bar Bolster Spring Spacer	4
2		*Bar Pin End Bushing	4	13	068973-285	M12 x 1.75-6G x 285 mm Flange Bolt	4
3	067749-050	M20 x 1.5-6G x 50 mm Flange Bolt	8	14	068973-045	M12 x 1.75-6G x 45 mm Flange Bolt	24
4	067745-000	M20 x 1.5-6G Flange Nut	8		060961-809	<b>Progressive Load Spring Service Kit,</b> <b>One Spring,</b> Includes Key Nos. 9-10, 14-15	
5	075977-001	Wear Plate	4	15		*Progressive Load Spring	2
6	077270-001	Saddle Assembly	2	16	077234-050	Load Spring Rebound Bracket, <i>Replaces</i> <i>077234-032 and 078298-001</i>	2
	060961-806	<b>Rebound Strap Service Kit, One Strap</b> Includes Key Nos. 7-10		17	077995-005	Frame Hanger	2
7		*Rebound Strap	4	18	078875-035	M12 x 1.75-6G x 35 mm Round Head Square Neck Bolt	8
8	077454-001	Rebound Spacer	8	19	068973-035	M12 x 1.75-6G x 35 mm Flange Bolt	24
9	068973-090	M12 x 1.75-6G x 90 mm Flange Bolt	8	20	078349-101	Inboard Frame Bracket	2
10	068974-000	M12 x 1.75 Flange Locknut	68	21	075817-011	Upper Shock Bracket	4
				22		**Shock Absorber Assembly	4

**HAULMAAX CROSS REFERENCE**

HENDRICKSON PART NO.	CNHTC PART NO.	DESCRIPTION
060961-805	WG9725523512/1	Equalizing Beam Service Kit, One Beam
060961-806	WG9725523531/1	Rebound Strap Service Kit, One Strap
060961-807		Bar Pin End Bushing Service Kit, One Equalizing Beam
060961-808	WG9725523521/1	Tie-Bar Bolster Spring Service Kit, Two Bolsters
060961-809	WG9725523523/1	Progressive Load Spring Service Kit, One Spring
060961-810		Tie-Bar Bolster Spring Service Kit, Four Bolsters
060961-819	WG9725523516/1	Bar Pin End Bushing Service Kit, One Wheel End
065742-001	WG9725523530/1	Tie-bar Bolster Spring Spacer
067745-000	WG9725523514/1	M20 x 1.5-6G Flange Nut
067749-050	WG9725523513/1	M20 x 1.5-6G x 50 mm Flange Bolt
068973-035	WG9725523528/1	M12 x 1.75-6G x 35 mm Flange Bolt
068973-045	WG9725523529/1	M12 x 1.75-6G x 45 mm Flange Bolt
068973-090	WG9725523526/1	M12 x 1.75-6G x 90 mm Flange Bolt
068973-285	WG9725523527/1	M12 x 1.75-6G x 285 mm Flange Bolt
068974-000	WG9725523525/1	M12 x 1.75 Flange Locknut
075817-011	WG9725523534/1	Upper Shock Bracket
075977-001	WG9725523518/1	Wear Plate
077123-200	WG9725523501	HAULMAAX Suspension Kit
077234-050	WG9725523520/1	Load Spring Rebound Bracket
077263-541	WG9725523512/1	Equalizing Beam Assembly
077270-001	WG9725523519/1	Saddle Assembly
077272-005	WG9725523511/1	Frame Hanger and Saddle Assembly
077454-001	WG9725523522/1	Rebound Spacer
077995-005	WG9725523517/1	Frame Hanger
078298-001	WG9725523524/1	Load Spring Shim
078349-101	WG9725523532/1	Inboard Frame Bracket
078875-035	WG9725523533/1	M12 x 1.75-6G x 35 mm Round Head Square Neck Bolt

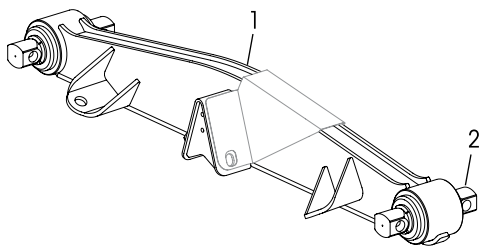
**NOTES**

\* Item included in assembly or service kit only, part not sold separately.

\*\* Not supplied by Hendrickson, although required item. Refer to vehicle manufacturer for more information. Hendrickson is not responsible for components supplied by vehicle manufacturer.

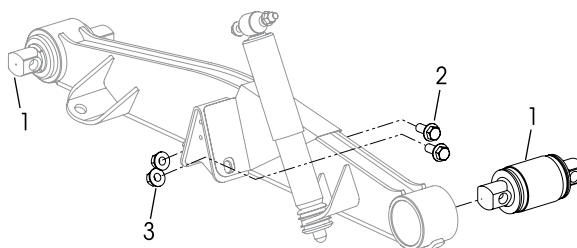
## HAULMAAX Service Kits

**Service Kit No.** | Equalizing Beam  
**060961-805** | One Beam



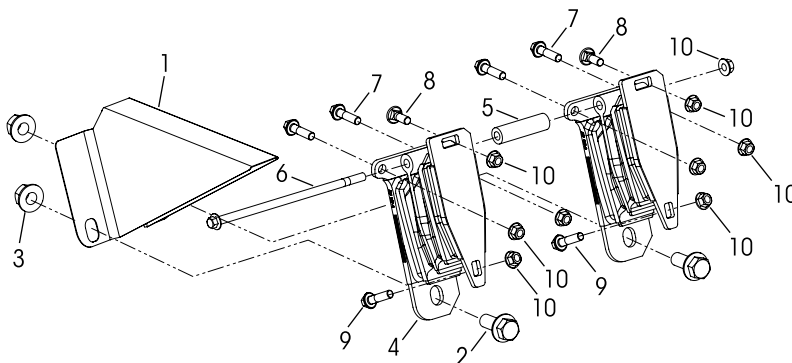
KEY NO.	PART NO.	DESCRIPTION	KIT QTY.
1		*Equalizing Beam Assembly, 1371.6 mm	1
2		*Bar Pin End Bushing Non-Shim Type	2

**Service Kit No.** | Bar Pin End Bushings  
**060961-807** | One Equalizing Beam  
**060961-819** | One Wheel End



KEY NO.	PART NO.	DESCRIPTION	KIT QTY.
1		*Bar Pin End Bushing One Equalizing Beam One Wheel End	2 1
2	067749-050	M20 x 1.5-6G x 50 mm Flange Bolt	4
3	067745-000	M20 x 1.5-6G Flange Nut	4

**Service Kit No.** | Tie-Bar Bolster Spring  
**060961-808** | Two Bolsters

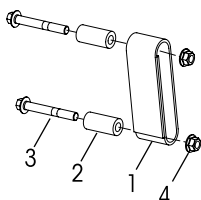


KEY NO.	PART NO.	DESCRIPTION	KIT QTY.
1	075977-001	Wear Plate	1
2	067749-050	M20 x 1.5-6G x 50 mm Flange Bolt	4
3	067745-000	M20 x 1.5-6G Flange Nut	4
4		*Tie-Bar Bolster Spring	2
5	065742-001	Tie-Bar Bolster Spring Spacer	1
6	068973-285	M12 x 1.75-6G x 285 mm Flange Bolt	1
7	068973-045	M12 x 1.75-6G x 45 mm Flange Bolt	4
8	078875-035	M12 x 1.75-6G x 35 mm Round Head Square Neck Bolt	2
9	068973-035	M12 x 1.75-6G x 35 mm Flange Bolt	2
10	068974-000	M12 x 1.75 Flange Locknut	9

**Service Kit No.** | Tie-Bar Bolster Spring  
**060961-810** | Four Bolsters

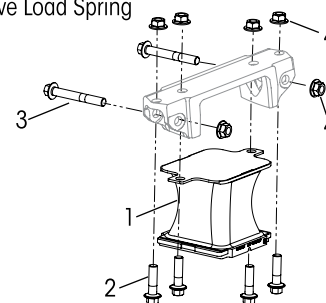
KEY NO.	PART NO.	DESCRIPTION	KIT QTY.
1	075977-001	Wear Plate	2
2	067749-050	M20 x 1.5-6G x 50 mm Flange Bolt	4
3	067745-000	M20 x 1.5-6G Flange Nut	4
4		*Tie-Bar Bolster Spring	4
5	065742-001	Tie-Bar Bolster Spring Spacer	2
6	068973-285	M12 x 1.75-6G x 285 mm Flange Bolt	2
7	068973-045	M12 x 1.75-6G x 45 mm Flange Bolt	4
8	078875-035	M12 x 1.75-6G x 35 mm Round Head Square Neck Bolt	4
9	068973-035	M12 x 1.75-6G x 35 mm Flange Bolt	4
10	068974-000	M12 x 1.75 Flange Locknut	14

**Service Kit No.** | Rebound Strap  
**060961-806** | One Strap



KEY NO.	PART NO.	DESCRIPTION	KIT QTY.
1		*Rebound Strap	1
2	077454-001	Rebound Spacer	2
3	068973-090	M12 x 1.75-6G x 90 mm Flange Bolt	2
4	068974-000	M12 x 1.75 Flange Locknut	2

**Service Kit No.** | Progressive Load Spring  
**060961-809** | One Side



KEY NO.	PART NO.	DESCRIPTION	KIT QTY.
1		*Progressive Load Spring	1
2	068973-045	M12 x 1.75-6G x 45 mm Flange Bolt	4
3	068973-090	M12 x 1.75-6G x 90 mm Flange Bolt	2
4	068974-000	M12 x 1.75 Flange Locknut	6



■ Special Tools

**BAR PIN STYLE END BUSHING TOOLS**

**INSTALLATION TOOLS**

**Hendrickson Part No. 066086-103**

**OTC Part No. 1757**

Visit [otctools.com](http://otctools.com)



Use with the beam removed from the truck, and in conjunction with OTC No. 51100 press plate and a 100-ton hydraulic shop press.

**REMOVAL TOOLS**

**Hendrickson Part No. 066086-104**

**OTC Part No. 206457**

Visit [otctools.com](http://otctools.com)



**Hendrickson Part No. 066086-105**

**OTC Part No. 302030**

Visit [otctools.com](http://otctools.com)



---

[www.hendrickson-intl.com.cn](http://www.hendrickson-intl.com.cn)

---



Hendrickson China  
Shanghai Add: Suite 2402B, Baoan Building,  
800 Dongfang Road, Pudong New Dist, Shanghai, 200127

Phone +86 21 5876 5710  
Fax +86 21 5876 1577

Factory Add: No. 1668 North Section of Chunbo Road,  
East New Dist of Jinan High Tech Industrial Development Zone,  
Jinan, Shandong, P.R.C, 250104

Phone +86 531 8880 9055  
Fax +86 531 8880 9059